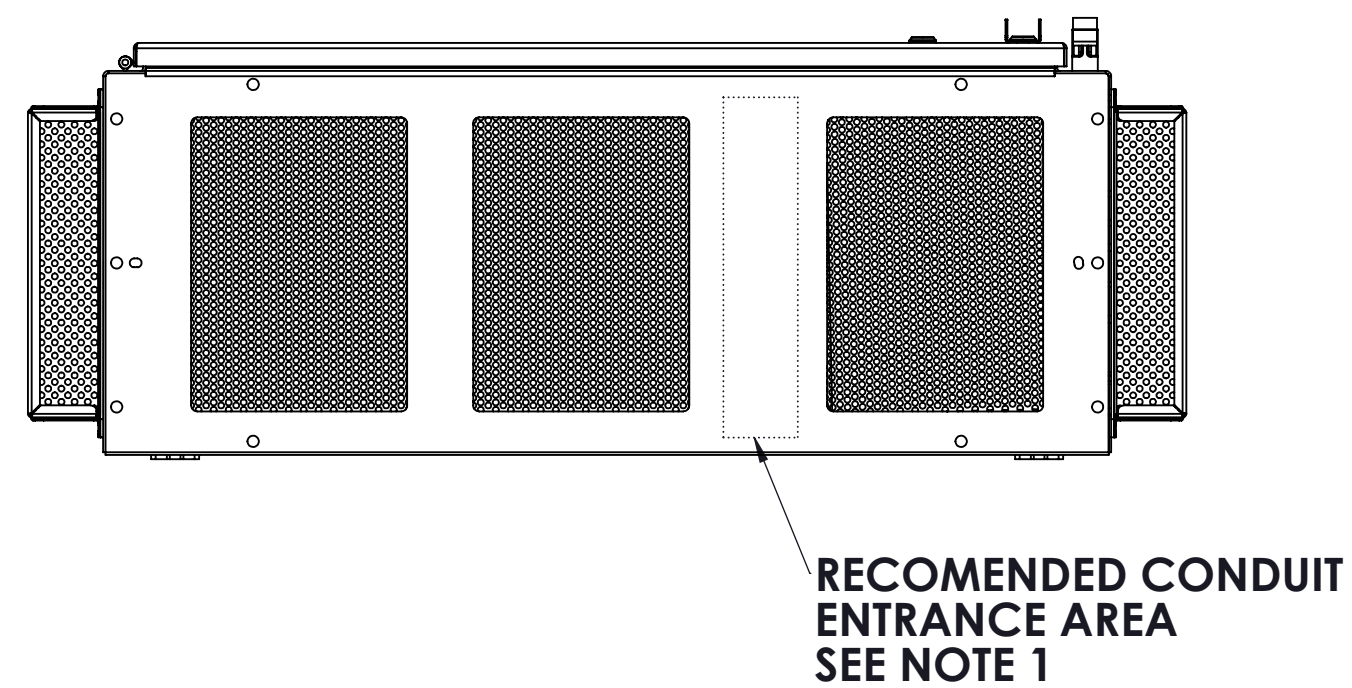
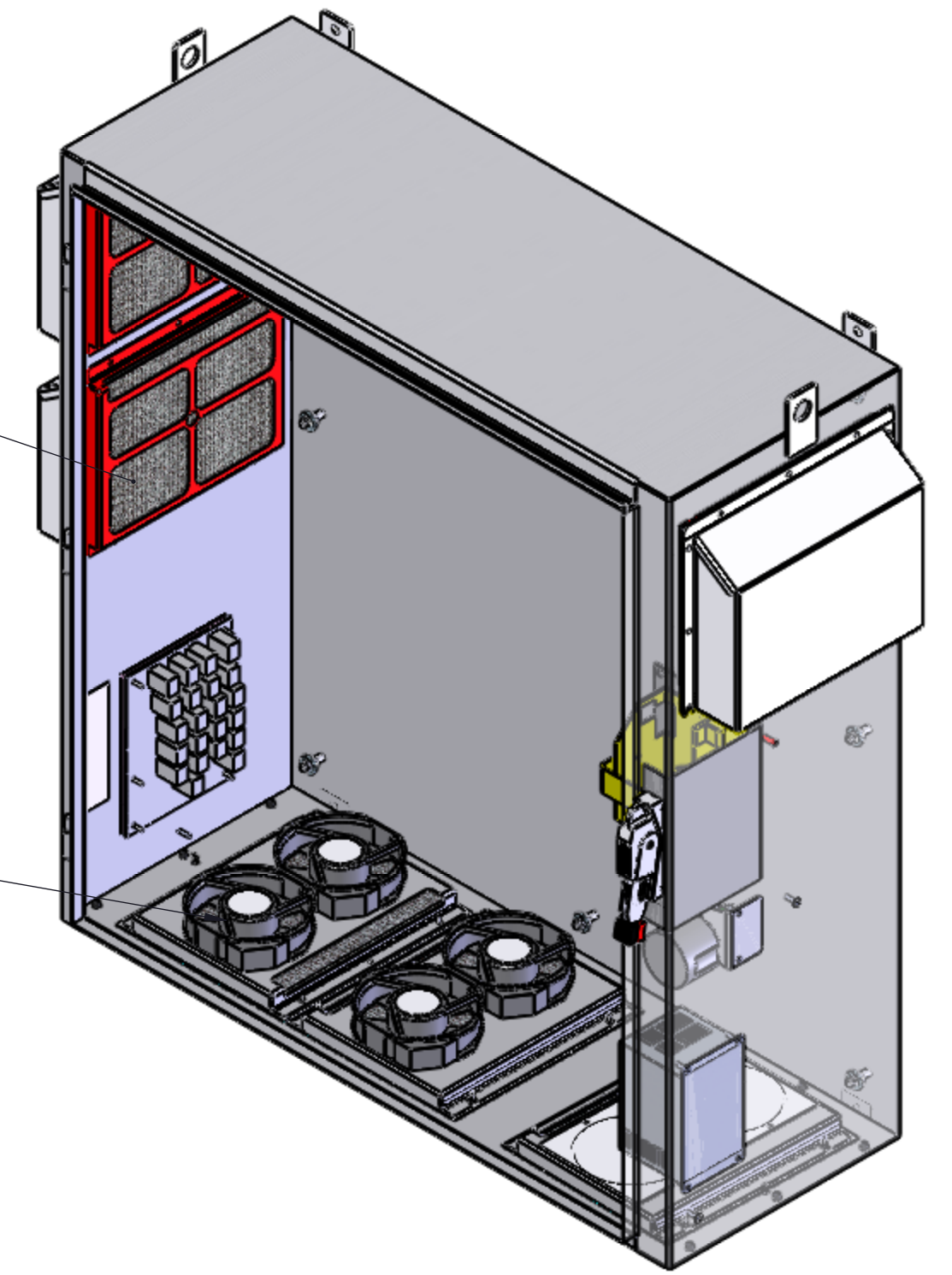
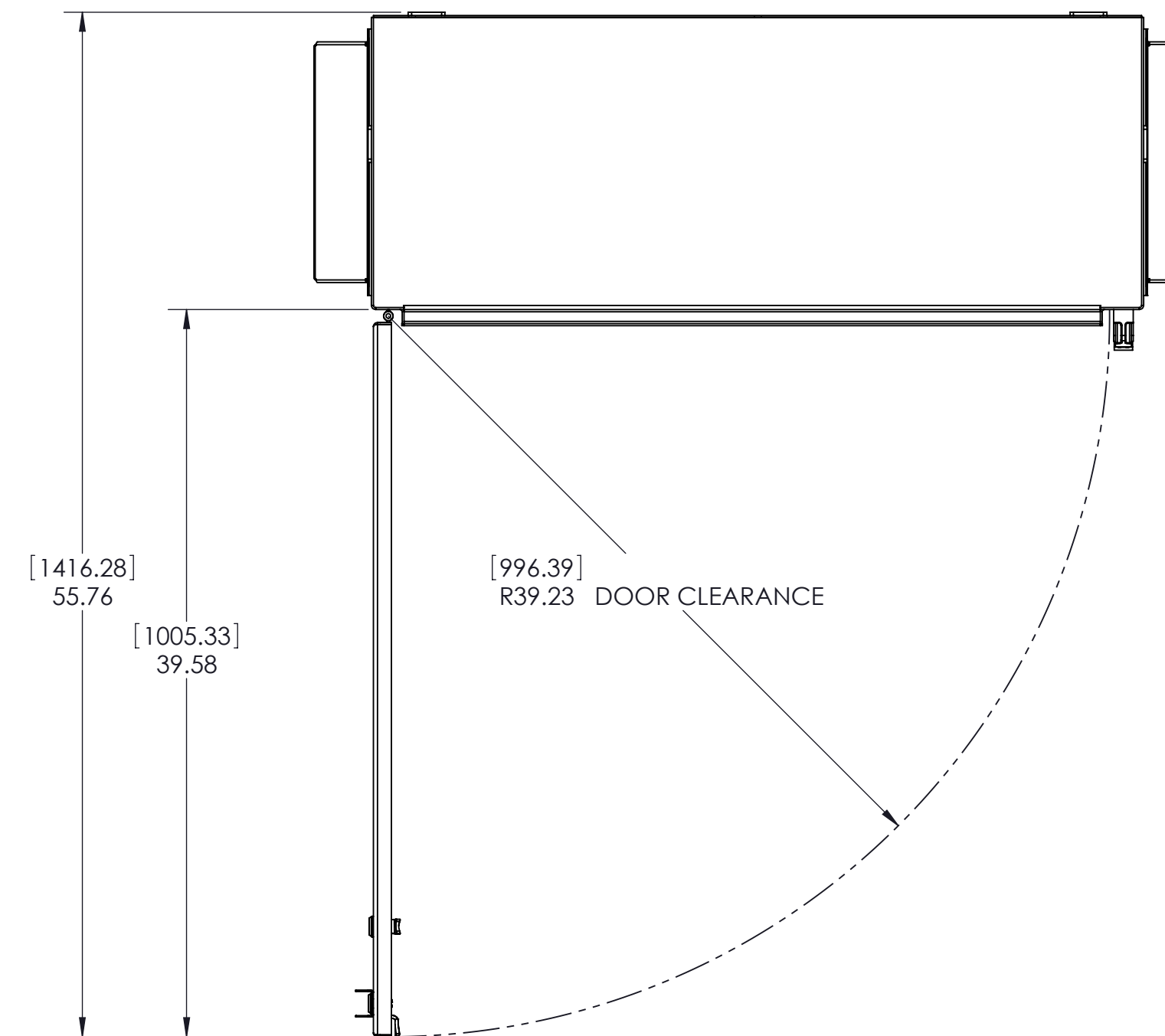
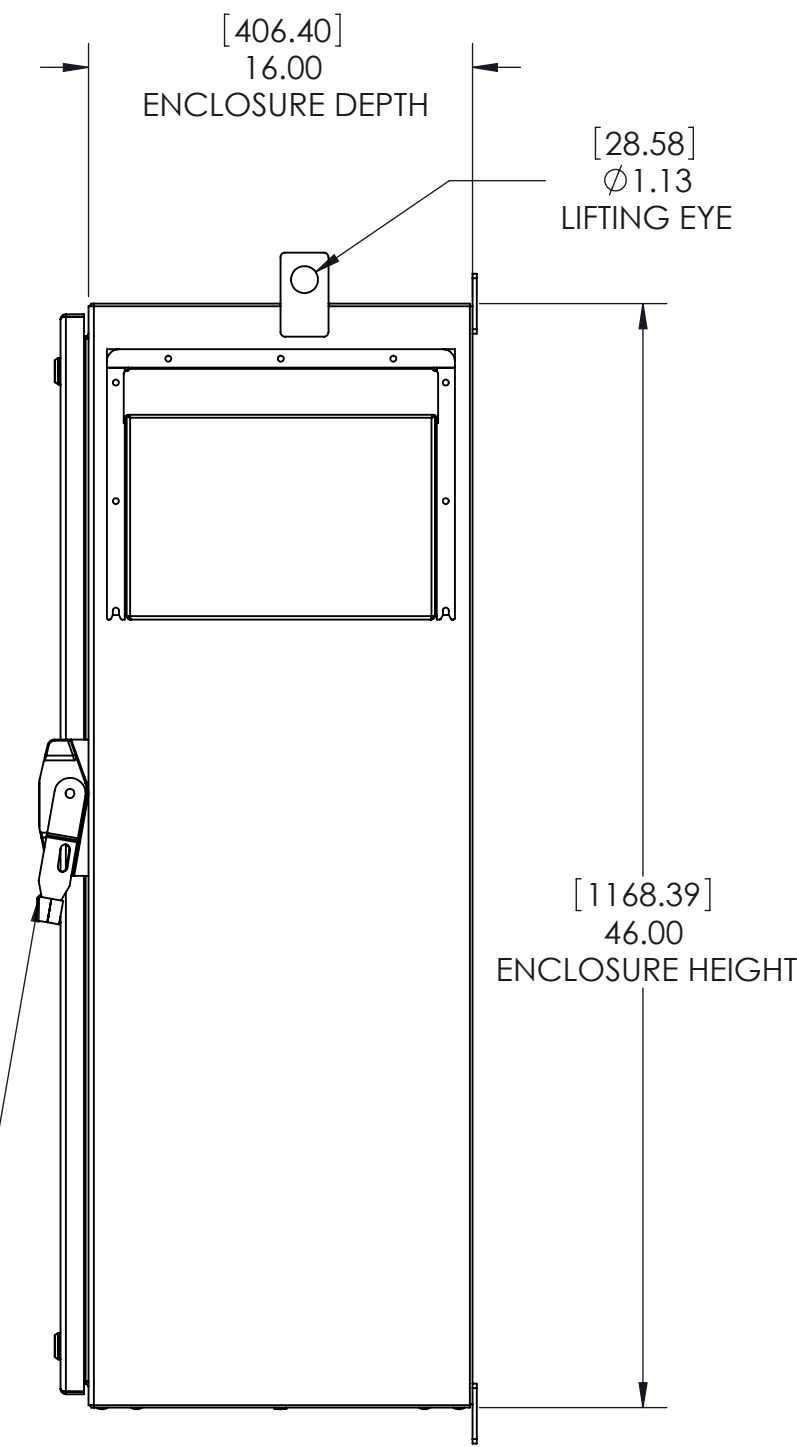
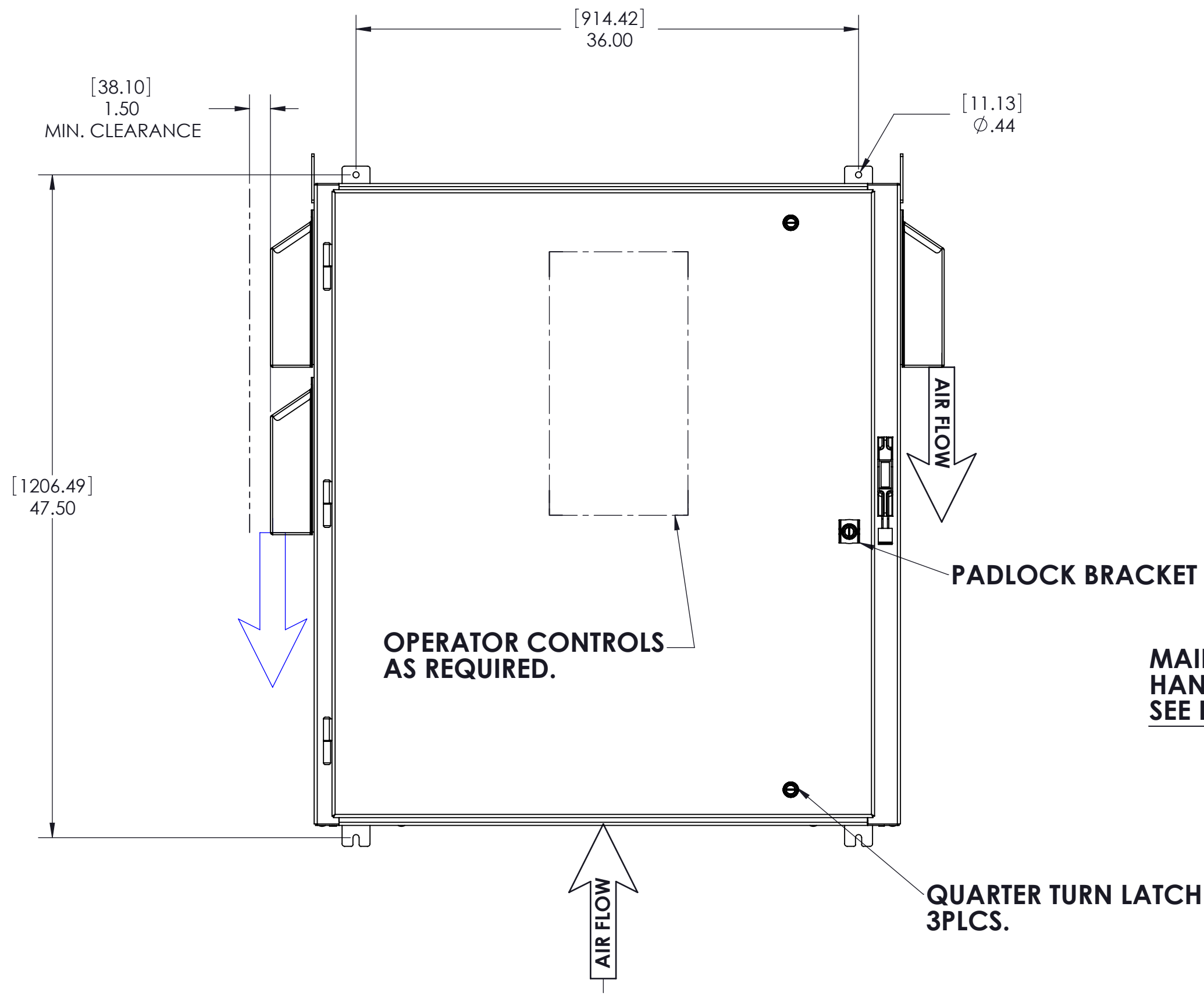
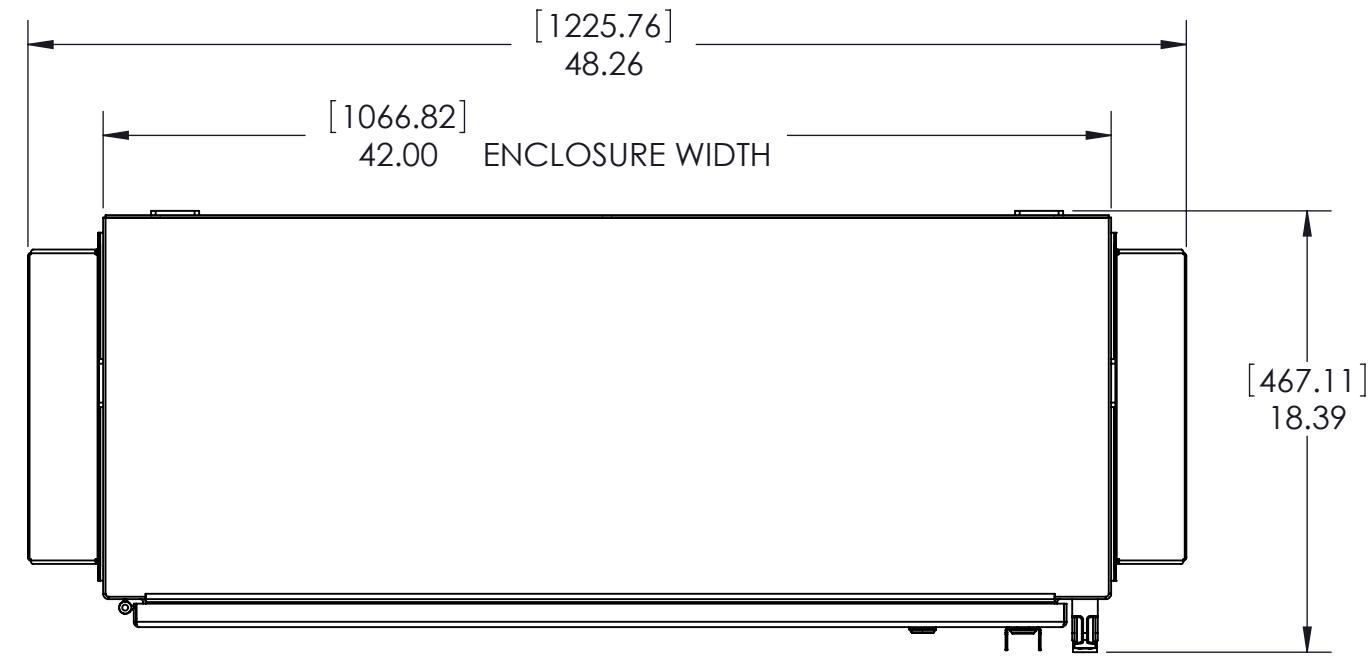


FOR REFERENCE ONLY UNLESS PROPERLY ENDORSED.
FOR ADDITIONAL DETAILS AND SPECS, CONSULT MANUAL.

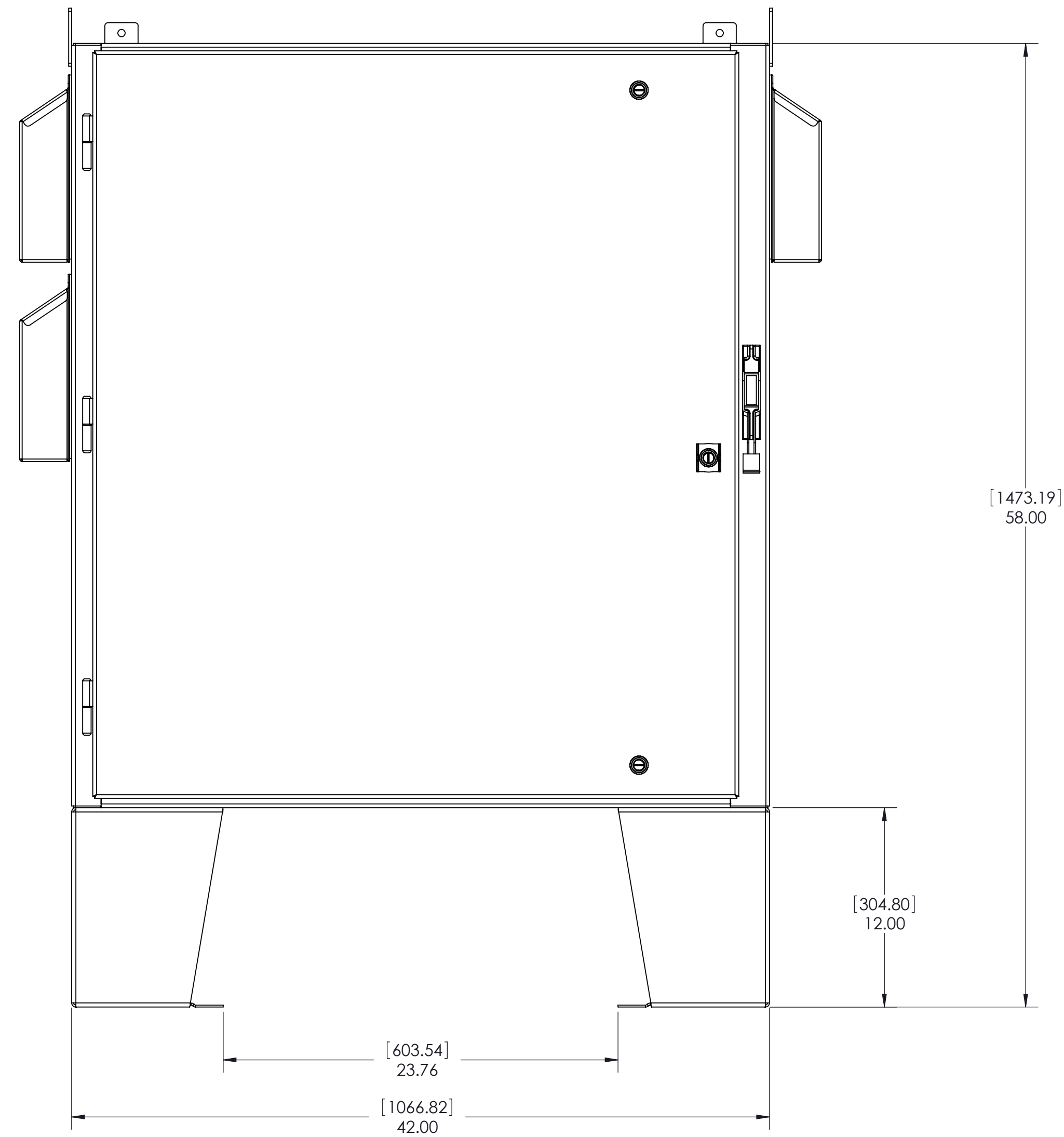


- NOTES:
1.) MUST USE TYPE 3R RATED HUBS OR FITTINGS (OR EQUIVALENT) TO MAINTAIN ENCLOSURE RATING.
2.) FANS, FILTERS, OR CLOSING PLATES ARE SUPPLIED WHEN ORDERED.
3.) DIMENSIONS ARE IN INCHES (MM)
4.) SUPPLIED WHEN FLANGE MOUNTED CIRCUIT BREAKER IS SPECIFIED.

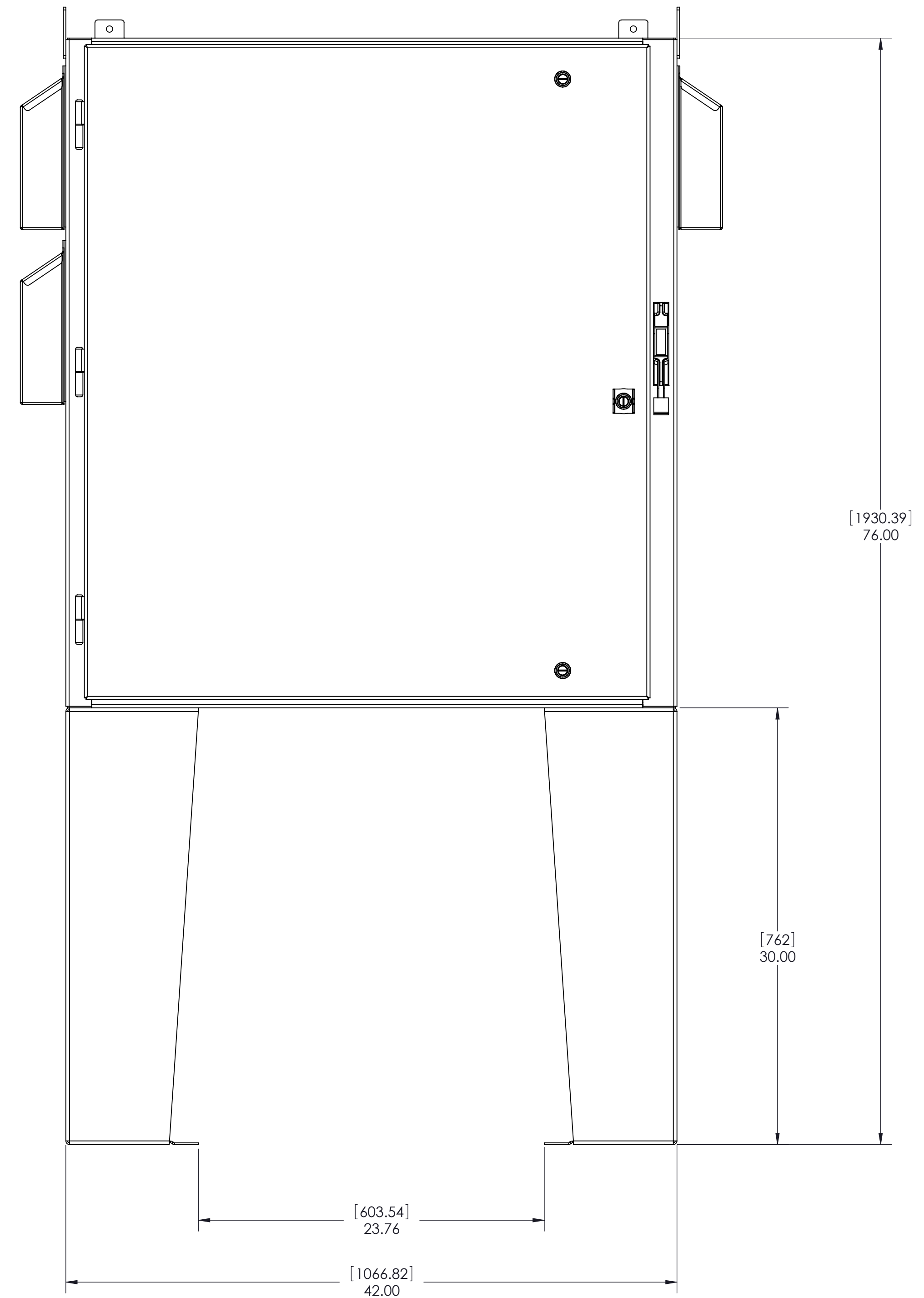
PROJECT NAME	
SYSTEM/TAG#	
MODEL #	
HP	
AMPS	
VOLTS	
WEIGHT	

	DRAWN: JJS	DATE: 9/16/09	TITLE: DIMENSIONAL DRAWING
	CHECKED: MKK	DATE: 9/16/09	3RW3
TECH: D	DATE: 9/16/09	MATERIAL#	
APPROVED: JZ	DATE: 9/16/09	SIZE	REVISION R01
ORIGINAL DESIGN: JJS	DATE: 10-25-07	PAGE	1 OF 2
<small>THIS DOCUMENT AND INFORMATION CONTAINED IN IT ARE CONFIDENTIAL, AND CANNOT BE COPIED OR DISCLOSED IN WHOLE OR IN PART WITHOUT THE EXPRESS WRITTEN CONSENT OF YASKAWA ELECTRIC AMERICA INC.</small>		DRAWING #: DD.AFD.200.01	

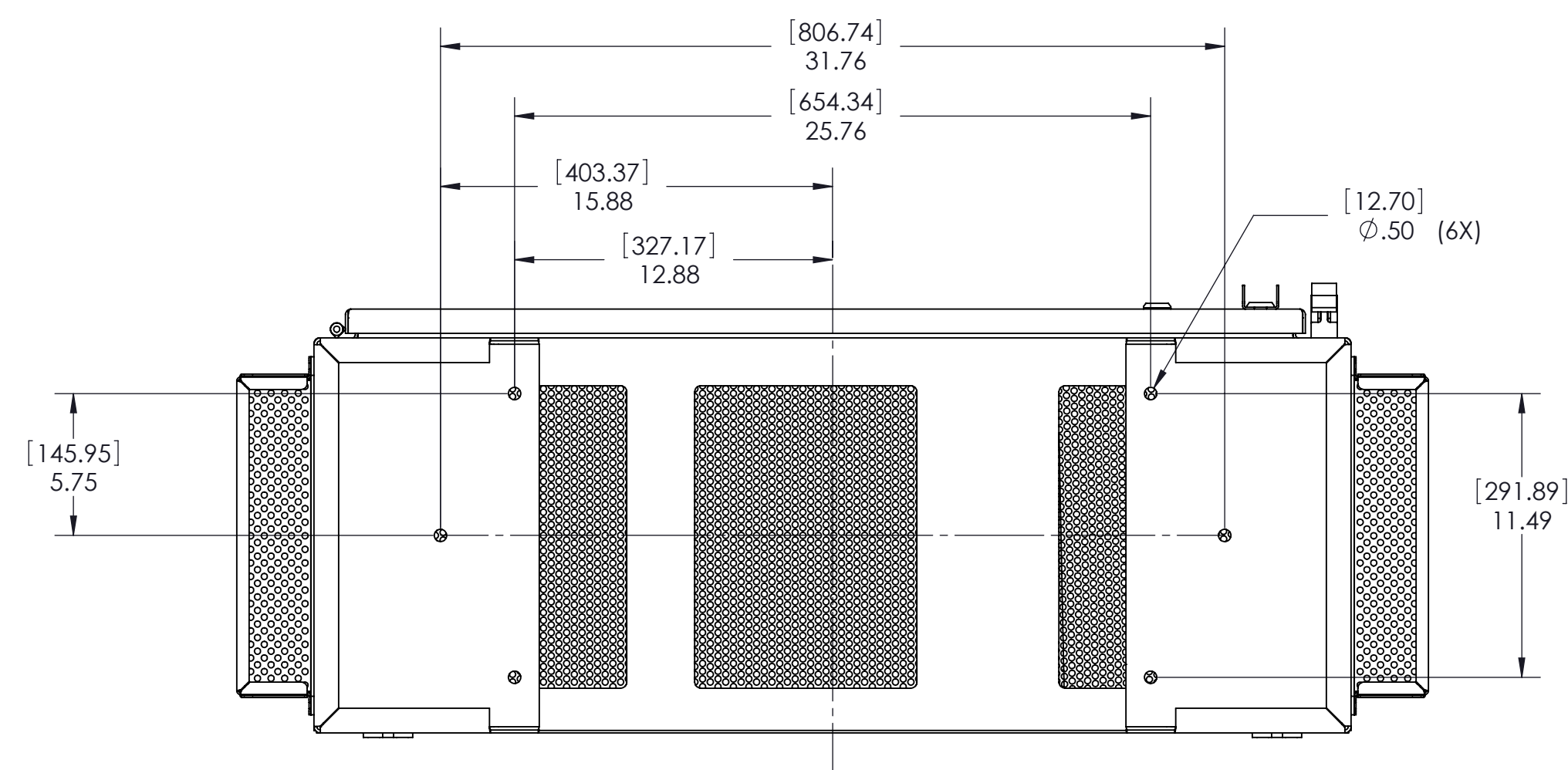
LEG STAND MOUNTING OPTION DIMENSIONS



12.0" HIGH LEGS



30.0" HIGH LEGS



NOTE: DRILL PATTERN SAME FOR 12" AND 30" HIGH LEGS

<p>THIS DOCUMENT AND INFORMATION CONTAINED HEREIN ARE CONFIDENTIAL AND CANNOT BE COPIED OR DISCLOSED IN WHOLE OR IN PART WITHOUT THE EXPRESS WRITTEN CONSENT OF YASKAWA ELECTRIC AMERICA INC.</p>	DRAWN: JJS	DATE: 9/16/09	TITLE: DIMENSIONAL DRAWING	
	CHECKED: MKK	DATE: 9/16/09	MATERIAL#: 3RW3	
	APPROVED: JZ	DATE: 9/16/09	SIZE: D	REVISION: R01
	ORIGINAL DESIGN: JJS	DATE: 10-25-07	DRAWING #: DD.AFD.200.01	PAGE: 2 OF 2